



USB 2.0 Removable HDD

Features:

- USB 2.0 Standard designed, Mass storage device.
- Plug and Play supported
- Storage capacity of 1GB, 2GB, 3GB, 4GB, 8GB, 10GB
- Own all of the Flash disk functions
- Read/Write power consumption less than 420mA
- Average Transfer speed 5.5MB for 3GB and 7.2MB for 4GB
- Compatible with windows98, 2000, XP, Linux, Apple Macintosh

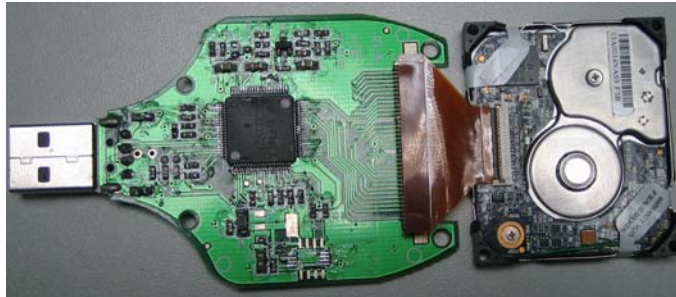


Figure 1: Implementation of design

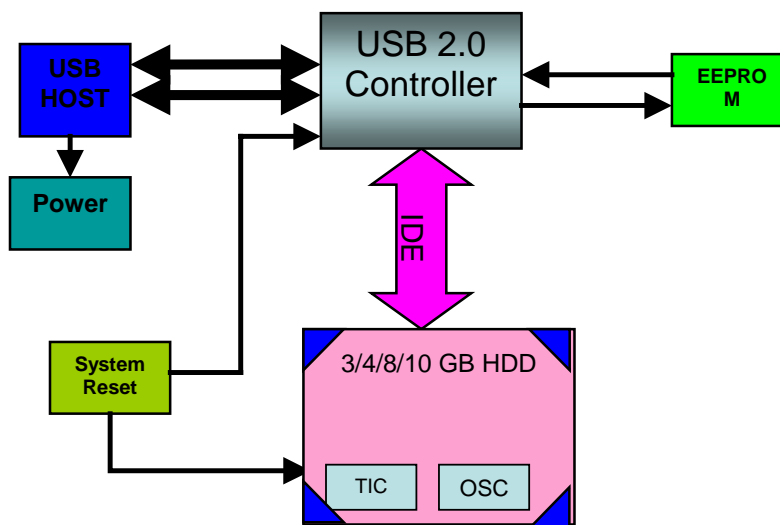


Figure 2: System block diagram